

MST 1-PHASE SAFETY TRANSFORMER

P: 2500VA IN: 230/400VAC+/-15VAC OUT:2x24VAC

Single-phase safety transformer
2500 VA
Isolation class T 40/B

[Link to Product](#)**Illustration**

Product may differ from Image

Approvals**Input**

Input voltage	230/400 ±15 V AC
Input current	11.1 A (230 V AC); 6.5 A (400 V AC)
Inrush current	205 A (230 V AC); 98 A (400 V AC)
Short-circuit current	504 A (230 V AC); 300 A (400 V AC)
Frequency	50...60 Hz

Output

Output voltage	1 × 24/1 × 48/2 × 24 V AC
Output rating	2500 VA

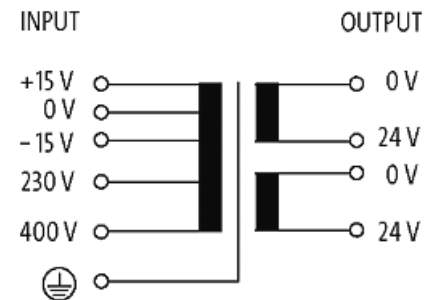
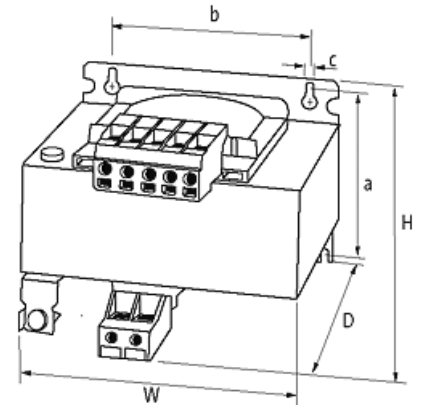
General data

Standards	EN 61558-1, EN 61558-2-4, EN 62041 category 0
Test isolation voltage	5.8 kV (prim./sec.)
Mounting method	Long-hole mounting
Dimensions H×W×D	182×192×242 mm
Fixing centers a×b×c	150×150×10 mm
Drill hole Ø	10×18 mm
Temperature range	-20...+40 °C, no condensation

Commercial data

country of origin	CZ
customs tariff number	85043200
EAN	4048879366823
eClass	27031302
Packaging unit	1

Sketch



Product may differ from Image